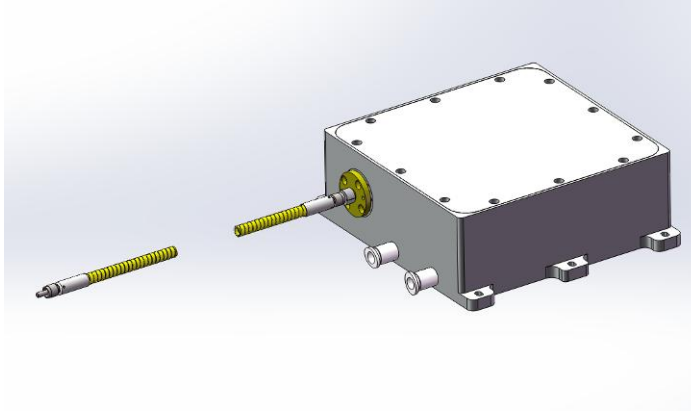


## High Power Laser Diode Module

### M638±10-35-D800/22-V2B



Han's TianCheng Semiconductor Co.,Ltd., founded in November 2011 in Beijing Development Area, is a subsidiary company of Han's Laser. Han's TianCheng has advanced research, technological infrastructure and experience in the development and production of diode lasers with self-developed technology, especially in fiber coupled laser modules. Han's TianCheng provides high power semiconductor laser products which are widely used in the fields such as material processing, diode-pumped solid-state pumping, fiber laser pumping, laser display, medical application and scientific research

Han's TianCheng dedicates to the development of high brightness fiber coupled diode laser modules with output power from ten to hundreds of watts, and the wavelength from 635nm to 1550nm. We can also provide special wavelength and multi-wavelength products, and other customizing products and OEM services.

#### Features:

- ◆ High output power up to 35W
- ◆ 800 $\mu$ m core multimode optical fiber
- ◆ 0.22NA
- ◆ Wavelength 638nm  $\pm$ 10nm

#### Applications:

- ◆ Industrial Processing
- ◆ Display

## Typical Device Performance (25°C)

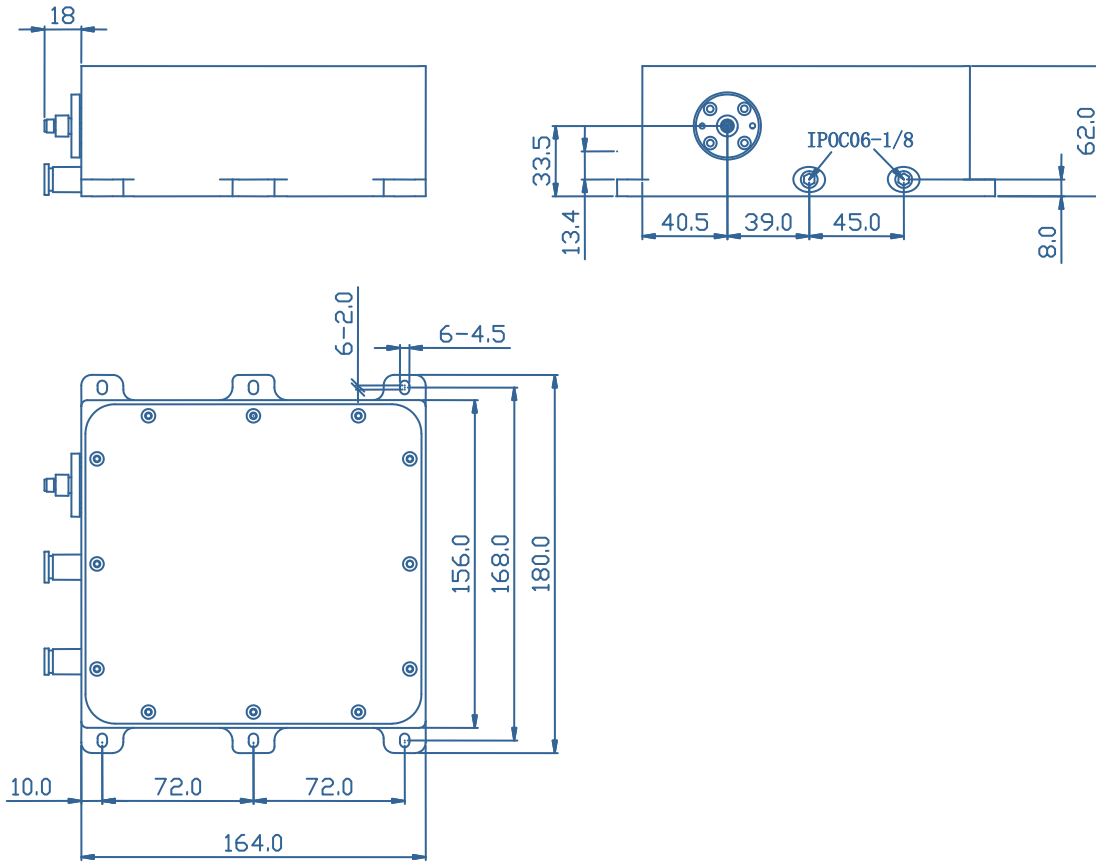
	Symbol	Typical Value	Unit
<b>Optical</b>			
CW Output Power	$P_{op}$	35	W
Center Wavelength	$\lambda_c$	638, ±10	nm
<b>Electrical</b>			
Threshold Current	$I_{th}$	0.2	A
Operating Current	$I_{op}$	0.8	A
Operating Voltage	$V_{op}$	50	V
Power supply mode		4 channels	
<b>Fiber</b>			
Fiber Core Diameter	$d_{core}$	800	μm
Fiber Cladding Diameter	$d_{clad}$	880	μm
Fiber Buffer Diameter	$d_{buffer}$	1030	μm
Numerical Aperture	NA	0.22	-
Fiber Length	$L_f$	1~5	m

\*4groups of LD assembled inside the module, 0.8A current and 50v voltage operating of each group.

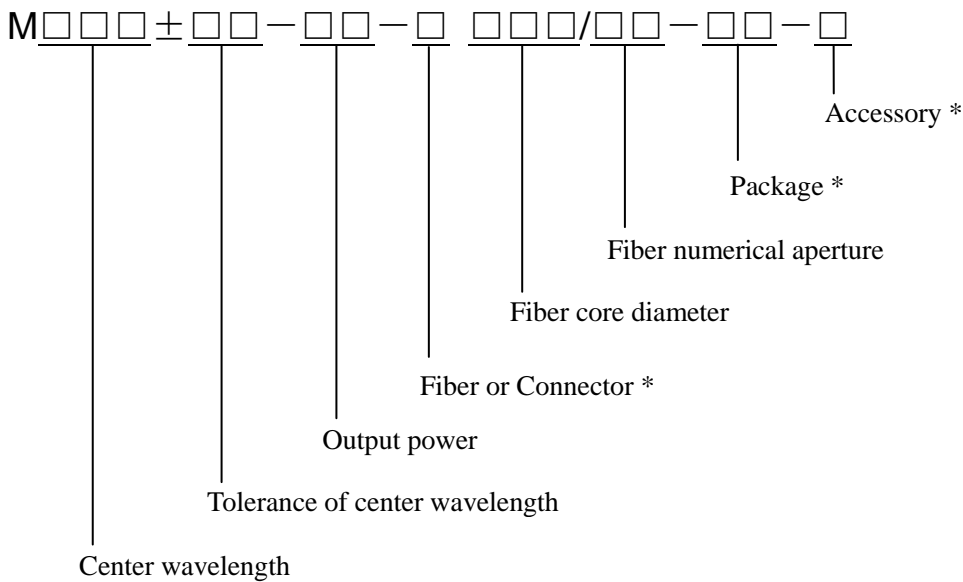
## Absolute Ratings

	Min	Max	Unit
Operating Temperature	10	40	°C
Operating Relative Humidity	-	75	%
Storage Temperature	-20	80	°C
Storage Relative Humidity	-	90	%
Lead Soldering Temperature, 10 s max	-	250	°C

**Package Dimensions (mm)**



**Type Definition**



\* Accessory: T – TE cooler, A – Aiming laser, P – Monitor photodiode, K – Fiber connector detector

\* Fiber or Connector: F – Fiber output, D – Detachable connector

