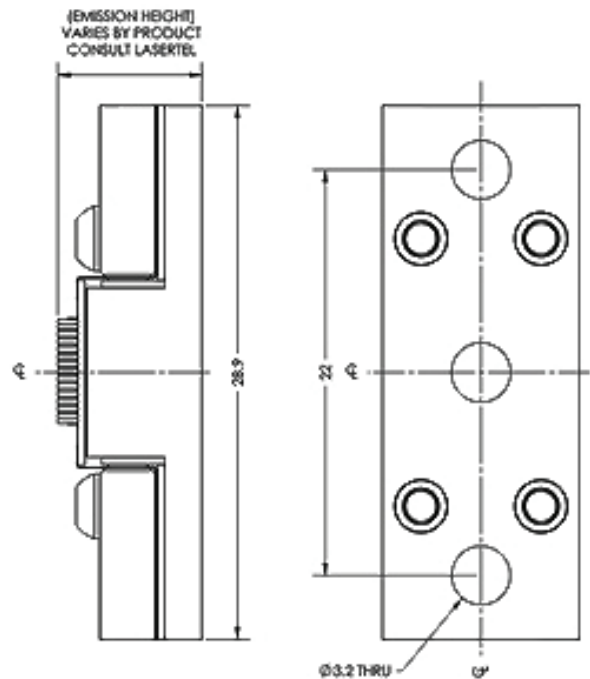
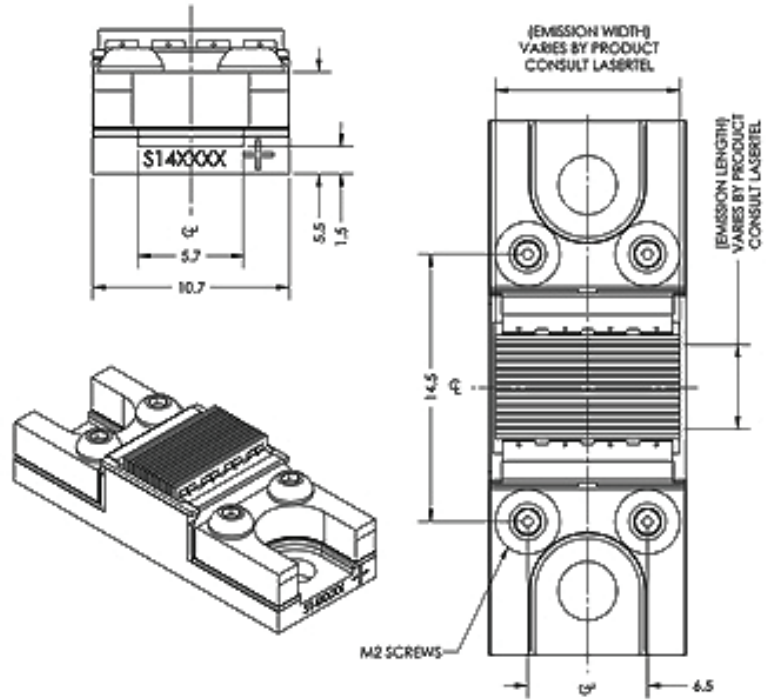


CONDUCTIVELY COOLED LASER DIODE ARRAY

S14



Lasertel products proudly made in the USA
P: +1 877.844.1444 E: SALES@LASERTEL.COM

TYPICAL SPECIFICATIONS

760nm - 1100nm

| TYPICAL OPTICAL PARAMETERS (@25 °C) | Units | Typical Value | | | | | |
|--|-------|-----------------|------|------|-------|------|------|
| Array Peak Output Power | W | 2000 | 4000 | 6000 | 10000 | 2000 | 3000 |
| Bar Emission Length | mm | 10 | | | | 3 | 5 |
| Operation Mode | | Pulsed | | | | | |
| Operating Current | A | 95 | 200 | 330 | 550 | 120 | 165 |
| Number of Bars | # | up to 20 | | | | | |
| Operating Voltage per Bar (760nm - 830nm) | V | 1.9 | | 2 | 2.1 | 2 | |
| Operating Voltage per Bar (850nm - 1100nm) | V | 1.5 | | 1.6 | 1.7 | 1.6 | |
| Power Conversion Efficiency | % | 60 | | 58 | | | |
| Bar to Bar Pitch | mm | 0.35, 0.40, 1.2 | | | | | |
| Beam Divergence | | | | | | | |
| Fast Axis (FWHM) | ° | 36 | | | 32 | 36 | |
| Slow Axis (FWHM) | ° | 10 | | | | | |

1400nm - 1700nm

| TYPICAL OPTICAL PARAMETERS (@25 °C) | Units | Typical Value |
|-------------------------------------|-------|-----------------|
| Array Peak Output Power | W | 500 |
| Bar Emission Length | mm | 10 |
| Operation Mode | | Pulsed |
| Operating Current | A | 95 |
| Number of Bars | # | up to 20 |
| Operating Voltage per Bar | V | 1.5 |
| Power Conversion Efficiency | % | 25 |
| Bar to Bar Pitch | mm | 0.35, 0.40, 1.2 |
| Beam Divergence | | |
| Fast Axis (FWHM) | ° | 27 |
| Slow Axis (FWHM) | ° | 10 |

Patent Numbers: US 7,660,335 | US 7,864,825 | US 6,352,873 | US 6,295,307



Lasertel products proudly made in the USA
P: +1 877.844.1444 E: SALES@LASERTEL.COM