



More Information at:



universal and compatible

These compact scan heads from SCANLAB provide optimal solutions for nearly all challenges found in industrial laser materials processing. The mechanically and electrically inter-compatible scan heads have apertures ranging from 7 to 30 mm and various levels of dynamics. High long-term stability and low drift values are ensured via integrated temperature stabilization.

SCANLAB has products for practically every customer need. Small-aperture systems optimally combine top speed and exceptional precision. Marking speeds exceeding 1000 characters per second can be achieved.

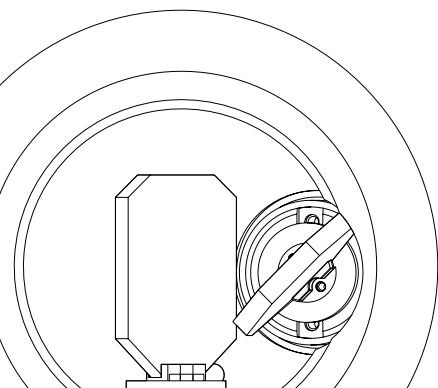
Also available are large-aperture scan heads offering small spot size, high speed and laser-power handling up to the multi-kilowatt range.

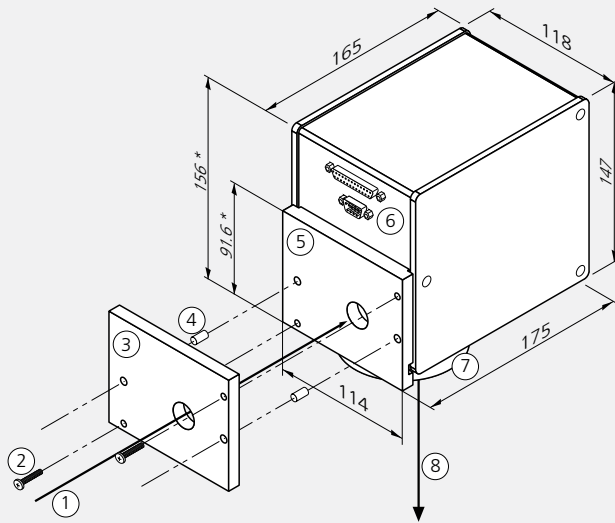
The housing concept as well as tight manufacturing and assembly tolerances bring high flexibility and certainty to the design and operation of laser materials processing systems. This also facilitates speedy adaptation to individual customer requirements.

hurrySCAN®III scan heads take advantage of the new dynAXIS® 3 series galvanometer scanners. In conjunction with new electronics, these galvos deliver highest dynamic performance, lowest drift and best linearity.

Typical Applications:

- Materials processing
- Marking
- Microstructuring
- Rapid manufacturing
- 3D applications
- Processing-on-the-fly





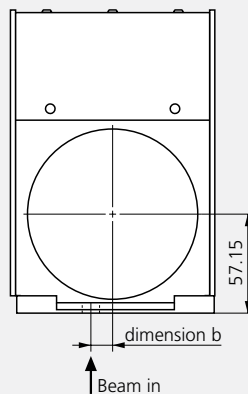
The denoted dimensions refer to **standard housing** type with 10 mm aperture.
 Variations in height and depth of the housing are possible; also housings with water cooling have other dimensions.

Legend

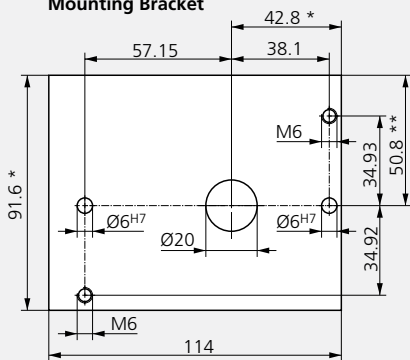
- 1 Beam in
 - 2 Screws (M6 thread)^(#)
 - 3 Flange^(#)
 - 4 Alignment pins ($\phi_{6,6}$)^(#)
 - 5 Mounting bracket
 - 6 Connectors
 - 7 Objective
 - 8 Beam out
- ^(#) not included

all dimensions in mm

Beam Exit Side with Beam Displacement



Mounting Bracket



Standard mounting bracket (10 mm aperture): rectangular, without cut-out

* The hurrySCAN® II 7's mounting bracket is higher (101.6 mm instead of 91.6 mm) and the bore holes are horizontally displaced (45.3 mm instead of 42.8 mm).

** True for 10 mm aperture scan heads, for hurrySCAN® II 14 and hurrySCAN® III 14 the dimension is 50.1 mm.

Dimensions

Aperture	7 mm	10 mm	14 mm
Beam displacement (dimension b)	9.98 mm	12.56 mm	16.42 mm

Optics

Scan mirrors and objectives with optimized mounts are available for all typical laser types and working fields.

To optimally utilize standard objectives, the hurrySCAN® 25's two scan axes have differing maximum scan angles. This results in an elliptical image field with the larger semi-axis perpendicular to the entrance beam axis.

Control

All scan heads of these series are equipped with either analog or digital standard interfaces and are easily controlled via SCANLAB's RTC® control boards. All scan heads are optionally available with an optical fiber data interface.

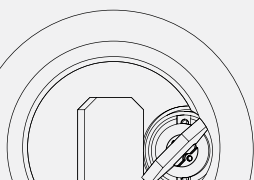
Attachment Provisions

Threaded and non-threaded holes at the housing's beam entrance side of hurrySCAN® 20, 25 and 30 facilitate mounting of the scan head and installation of fiber optic outputs.

On the beam exit side, threaded holes are available for attaching add-on components such as cross jets, illumination, distance sensors or thermal shields.

Cooling

The hurrySCAN® 20, 25 and 30 scan heads provide water-cooling connections for the entrance aperture, electronics and galvanometer scanners, along with air-cooling of the deflection mirrors. This ensures constant working conditions and excellent long-term stability, thus guaranteeing reliable operation even in high-laser-power applications.

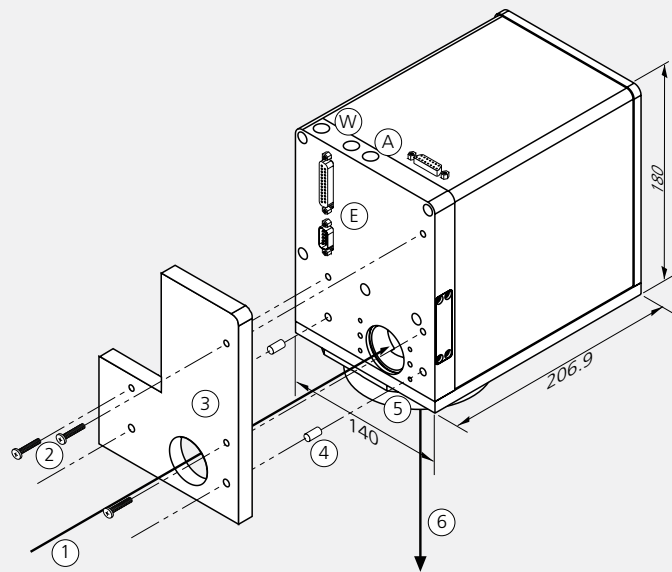


Options

- varioSCAN: upgrade to a 3-axis scan system (hurrySCAN® 20, 25 and 30 also with varioSCAN 40_{FLEX})
- Additional reference sensor system (ASC) for automatic self-calibration (10 mm apertures and higher)
- High-performance variants with light-weight mirrors (14 mm apertures and higher)
- Available as a scan module without housing (except hurrySCAN® 30)
- Water and air cooling (standard for hurrySCAN® 20, 25 and 30)
- Camera adapter for optical process monitoring

Quality

The high quality of SCANLAB's scan heads is the result of years of experience in the development and manufacture of galvanometer scanners and scan systems. In addition, every scan system must first pass the SCANcheck burn-in test before it is released for shipment to the customer.



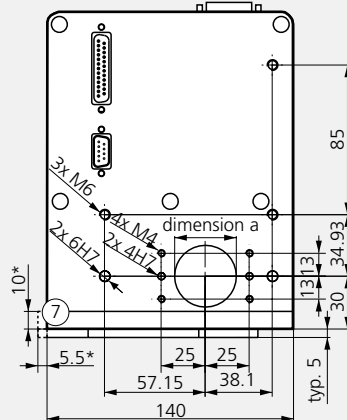
Legend

- 1 Beam in
 - 2 Mounting screws (M6 threads)^(#)
 - 3 Flange^(#)
 - 4 Alignment pins (6_{h6})^(#)
 - 5 Objective
 - 6 Beam out
 - 7 Wider construction (drawn dashed) only for hurrySCAN® 30
- E Electrical connectors
A Connection for cooling air
W Connections for cooling water

^(#) not included

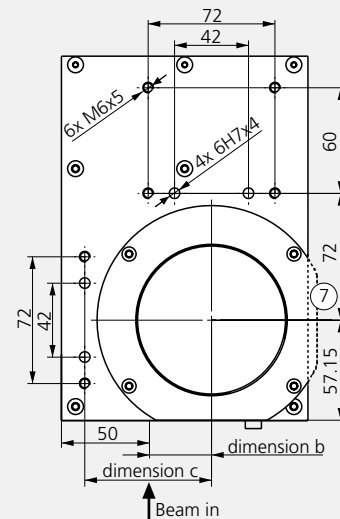
all dimensions in mm

Beam entrance side



*Dimensions only relevant for the hurrySCAN® 30

Beam exit side with beam displacement



Dimensions	hurrySCAN® 20	hurrySCAN® 25	hurrySCAN® 30
Aperture (dimension a)	20 mm	25 mm	30 mm
Beam displacement (dimension b)	25.25 mm	29.88 mm	35.53 mm
Dimension c	67.25 mm	72.00 mm	72.00 mm

Type-Dependent Specifications

	hurrySCAN® III 10	hurrySCAN® III 14
Aperture	10 mm	14 mm
Tracking error	0.12 ms	0.18 ms
Step response time ⁽¹⁾		
1% of full scale	0.35 ms	0.35 ms
10% of full scale	1.7 ms	1.2 ms
Typical speeds ⁽²⁾		
Marking speed	3.0 m/s	2.0 m/s
Positioning speed	12 m/s	12 m/s
Writing speed		
Good writing quality	1000 cps	660 cps
High writing quality	700 cps	410 cps
Long-term drift		
8-h-drift (after 30 min warm-up) ⁽³⁾		
Offset	< 100 µrad	< 100 µrad
Gain	< 100 ppm	< 100 ppm
24-h-drift (after 3 h warm-up) ⁽³⁾		
Offset	< 100 µrad	< 100 µrad
Gain	< 100 ppm	< 100 ppm
Temperature drift		
Offset	< 15 µrad/K	< 15 µrad/K
Gain	< 25 ppm/K	< 25 ppm/K
Optical performance		
Typical scan angle of scanner 1	±0.35 rad	±0.35 rad
Typical scan angle of scanner 2	±0.35 rad	±0.35 rad
Typical field size – square ^{(2), (4)}	110 x 110 mm ²	90 x 90 mm ²
Nonlinearity	< 0.9 mrad / 44°	< 0.9 mrad / 44°
Weight (without objective)	approx. 3 kg ⁽⁵⁾	approx. 3 kg ⁽⁵⁾

Common Specifications

Repeatability (RMS)	< 2 µrad
Resolution (18 bit, SL2-100)	2.7 µrad
Optical performance	
Gain error	< 5 mrad
Zero offset	< 5 mrad
Skew	< 1,5 mrad
Power requirements	±(15+1.5) V DC, max. 3 A (max. 6 A for hurrySCAN® 20-30)
Input signals	
Digital version	SL2-100, XY2-100 Standard or optical data transfer
Analog version	alternatively: ±4.8 V; ±9.6 V; ±4.8 mA; ±9.6 mA
Output signals	3 status signals per axis
Digital version	SL2-100, XY2-100 Standard or optical data transfer
Analog version	TTL level
Operating temperature	25 °C ± 10 °C
Typical air requirements ⁽⁸⁾	clean, filtered air 20 l/min at Δp < 2 bar
Typical water requirements ⁽⁸⁾	5 l/min at Δp < 0.1 bar, p < 4 bar

(all angles are in optical degrees)

⁽⁸⁾ air and water cooling optional for hurrySCAN® III 10 and 14, hurrySCAN® II 7-14 and hurrySCAN® 10

Type-Dependent Specifications

	hurrySCAN® II			hurrySCAN®			
Aperture	7 mm	10 mm	14 mm	10 mm	20 mm	25 mm	30 mm
Tracking error	0.11 ms	0.12 ms	0.24 ms	0.18 ms	0.35 ms	0.50 ms	0.55 ms
Step response time ⁽¹⁾							
1% of full scale	0.23 ms	0.35 ms	0.40 ms	0.35 ms	0.80 ms	0.90 ms	1.20 ms
10% of full scale	-	1.70 ms	1.60 ms	0.90 ms	2.50 ms	3.20 ms	4.50 ms
Typical speeds ⁽²⁾							
Marking speed	3.5 m/s	3.0 m/s	1.5 m/s	2.0 m/s	1.0 m/s	0.8 m/s	0.7 m/s
Positioning speed	15.0 m/s	12.0 m/s	7.0 m/s	7.0 m/s	6.0 m/s	5.0 m/s	3.0 m/s
Writing speed							
Good writing quality	1100 cps	1000 cps	500 cps	640 cps	320 cps	260 cps	220 cps
High writing quality	800 cps	700 cps	340 cps	400 cps	210 cps	170 cps	150 cps
Long-term drift (8-h-drift)	< 0.3 mrad ⁽⁶⁾	< 0.6 mrad ⁽⁷⁾	< 0.6 mrad ⁽⁷⁾	< 0.6 mrad ⁽⁷⁾	< 0.6 mrad ⁽⁷⁾	< 0.6 mrad ⁽⁷⁾	< 0.6 mrad ⁽⁷⁾
Optical performance							
Typical scan angle of scanner 1	±0.35 rad	±0.35 rad	±0.35 rad	±0.35 rad	±0.35 rad	±0.26 rad	±0.35 rad
Typical scan angle of scanner 2	±0.35 rad	±0.35 rad	±0.35 rad	±0.35 rad	±0.35 rad	±0.40 rad	±0.35 rad
Typical field size – ellipse ^{(2), (4)}	-	-	-	-	-	80 x 130 mm ²	-
Typical field size – square ^{(2), (4)}	110 x 110 mm ²	110 x 110 mm ²	90 x 90 mm ²	110 x 110 mm ²	90 x 90 mm ²	75 x 75 mm ²	50 x 50 mm ²
Nonlinearity	< 3.5 mrad / 44°	< 3.5 mrad / 44°	< 3.5 mrad / 44°	< 3.5 mrad / 44°	< 3.5 mrad / 44°	< 3.5 mrad / 44°	< 3.5 mrad / 44°
Weight (without objective)	approx. 3 kg ⁽⁵⁾	approx. 3 kg ⁽⁵⁾	approx. 3 kg ⁽⁵⁾	approx. 3 kg ⁽⁵⁾	approx. 5.8 kg	approx. 5.8 kg	approx. 5.8 kg

(all angles are in optical degrees)

⁽¹⁾ settling to 1/1000 of full scale

⁽²⁾ with F-Theta objective, f = 163 mm respectively f = 163 mm (hurrySCAN® 20-30)

⁽³⁾ at constant ambient temperature and load, without water cooling;

achievable even under varying load when equipped with temperature-controlled water cooling

⁽⁴⁾ limited by vignetting at objective

⁽⁵⁾ with optional water cooling up to 4.7 kg

⁽⁶⁾ at constant ambient conditions, plus offset drift < 30 µrad/K and gain drift < 100 ppm/K

⁽⁷⁾ after warm-up