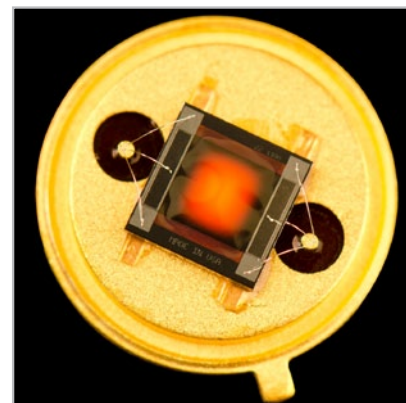


DLS200X2224 Thermal Emitter

Device Characteristics

Parameter	Condition	Min	Typ	Max	Unit
Membrane Size	X-Axis	-	2.2	-	mm
	Y-Axis	-	2.4	-	mm
Drive Voltage	Peak	-	6.0	TBD	V
Drive Current	Peak	-	150	TBD	mA
Drive Power	Peak	-	0.85	-	W
Modulation Depth (850 mW; Peak-Peak)	1 Hz	-	100.0	-	%
	10 Hz	-	91.5	-	%
	50 Hz	-	46.2	-	%
	100 Hz	-	28.6	-	%
Emissivity	2-14 μ m	-	0.80	-	
Spectral Range		1	-	20	μ m
Thermal Time Constant (1.1 W Drive)	Rise	-	28.0	-	ms
	Fall	-	6.8	-	ms
Average Lifetime (10 Hz; 50% Duty cycle)	850 mW	-	>20	-	kHrs

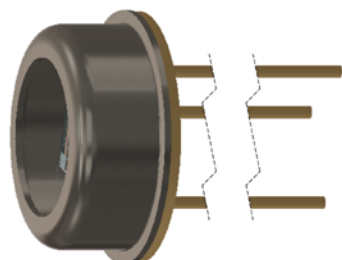
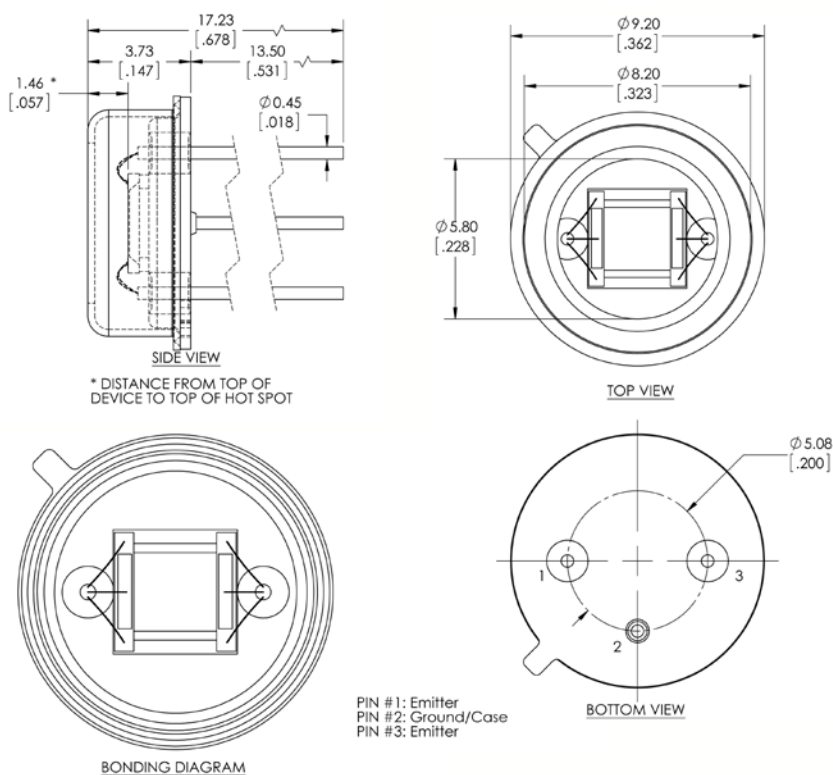


Measured Characteristics

Parameter	Condition	Min	Typ	Max	Unit
Resistance	750 C	30	40	50	A/W
Operating Temperature	850 mW	-	TBD	-	C

$$T_a = 22^\circ\text{C}$$

Note: Driving power has been derated due to higher efficiency and larger hot spot.



UNLESS OTHERWISE SPECIFIED:
DIMENSIONS ARE IN MM [INCH]
TOLERANCES:
ANGULAR: MACH ± .5° BEND ± 1°
TWO PLACE DECIMAL ±:
MM - .06 INCH - .02
THREE PLACE DECIMAL ±:
MM - .006 INCH - .002
INTERPRET GEOMETRIC
TOLERANCING PER: ISO 2001

Product Changes

LASER COMPONENTS reserves the right to make changes to the product(s) or information contained herein without notice. No liability is assumed as a result of their use or application.

Ordering Information

Products can be ordered directly from LASER COMPONENTS or its representatives. For a complete listing of representatives, visit our website at www.lasercomponents.com

2

Germany & Other Countries
Laser Components GmbH
Tel: +49 8142 2864 - 0
Fax: +49 8142 2864 - 11
info@lasercomponents.com
www.lasercomponents.com

USA
Laser Components USA, Inc.
Tel: +1 603 821 - 7040
Fax: +1 603 821 - 7041
info@laser-components.com
www.laser-components.com

United Kingdom
Laser Components (UK) Ltd.
Tel: +44 1245 491 499
Fax: +44 1245 491 801
info@lasercomponents.co.uk
www.lasercomponents.co.uk

France
Laser Components S.A.S.
Tel: +33 1 39 59 52 25
Fax: +33 1 39 59 53 50
info@lasercomponents.fr
www.lasercomponents.fr