

# Diode-side-pumped Laser Module



Diode-side-pumped laser modules use RealLight's self-developed water-cooled linear diode laser array for side pumping, can be tailored to customers requirements on output power and working mode by optimizing the crystal, bar numbers or other parameters. These modules feature excellent beam quality, compact design and low thermal effect, which makes them ideally suited for solid state laser manufacturing. RealLight is able to provide diode-side-pumped laser modules with output power of 75-300W. Other output powers and specifications are available upon request.

## Key Features

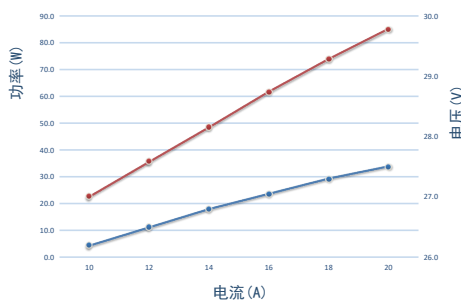
- ◆ High conversion efficiency
- ◆ Excellent beam quality
- ◆ Stable and reliable
- ◆ Cost-effective

## Applications

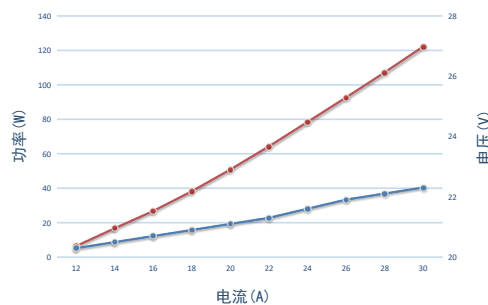
- Laser marking & engraving
- Laser cutting
- Laser surgery
- Aesthetic medicine
- Material processing

## Technical Specifications (25°C)

	Parameters	Unit	Value	
Optical	Center Wavelength	nm	1064	
	Output Power	W	75	120
	Operating Current	A	20	30
	Operating Voltage	V	30	24
	YAG Crystal Diameter	mm	3	3
	Light Center Height	mm	45	45
	Operating Temperature	°C	20-25	
	Coolant	-	distilled water	
Electrical	Storage Temperature	°C	5-50	
	Working Mode	-	constant current	
Cooling	Water Flow Rate	L/min	7-10	



PIV curve of 75W side-pumped module

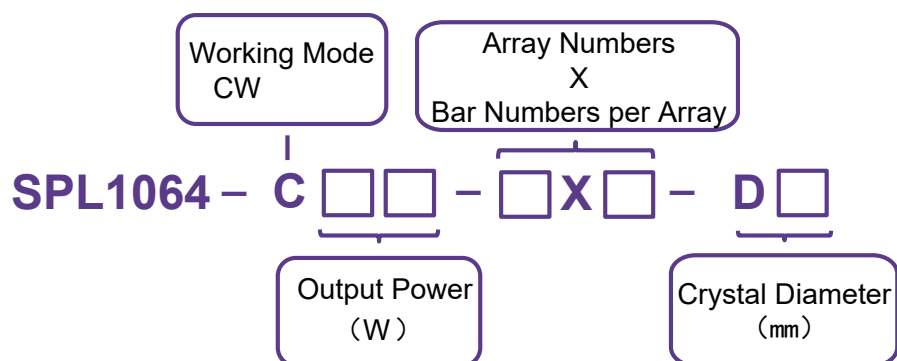


PIV curve of 120W side-pumped module

## Order Information

Wavelength (nm)	Part Number	Output Power (W)	Crystal Diameter (mm)	Bar Numbers	Working Mode
1064	SPL1064-C75-3x5-D3	75	3	15	CW
	SPL1064-C120-3x4-D3	120	3	12	CW

## Part Numbering Schema



## Mechanical Drawings (in mm)

