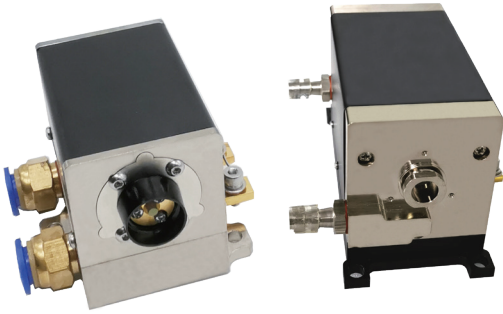


# High Peak Power Diode-side-pumped Laser Module



RealLight's high peak power diode-side-pumped laser modules use the self-developed water-cooled linear diode laser array as key component. With 3-phase or 5-phase pumping solution, these modules achieve a high gain and high peak power, and also control the effects of ASE very well. Featuring excellent beam quality, compact design and low thermal effect, these modules are ideally suited for solid state laser manufacturing. In addition to standard specifications, other output powers and special requirements are available upon request.

## Key Features

- ◆ High conversion efficiency
- ◆ Excellent beam quality
- ◆ Stable and reliable
- ◆ Cost-effective

## Applications

- Aesthetic medicine
- Laser amplification
- Laser welding
- Material processing

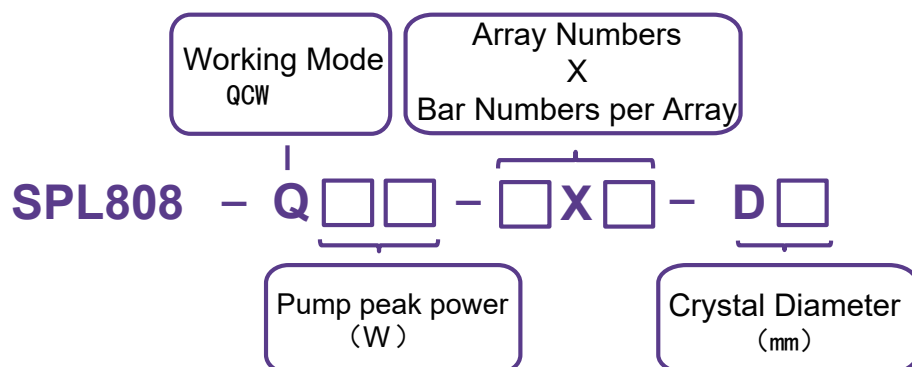
## Technical Specifications (25°C)

	Parameters	Unit	Value	
Optical	Center Wavelength	nm	808±3	
	Output Power	W	3000	7500
	Crystal Diameter	mm	3	5
	Bar Numbers	Pcs	12	30
	Light Center Height	mm	45	45
	Operating Current	A	250	250
	Operating Voltage	V	24	60
Electrical	Working Mode	-	QCW	
	Duty Cycle	%	≤10	
	Pulse Width	ms	≤10	
	Repetition Rate	Hz	≤100	
	Water Flow Rate	L/min	7-10	
Cooling	Operating Temperature	°C	20-25	
	Coolant	-	distilled water	
	Storage Temperature	°C	5-50	

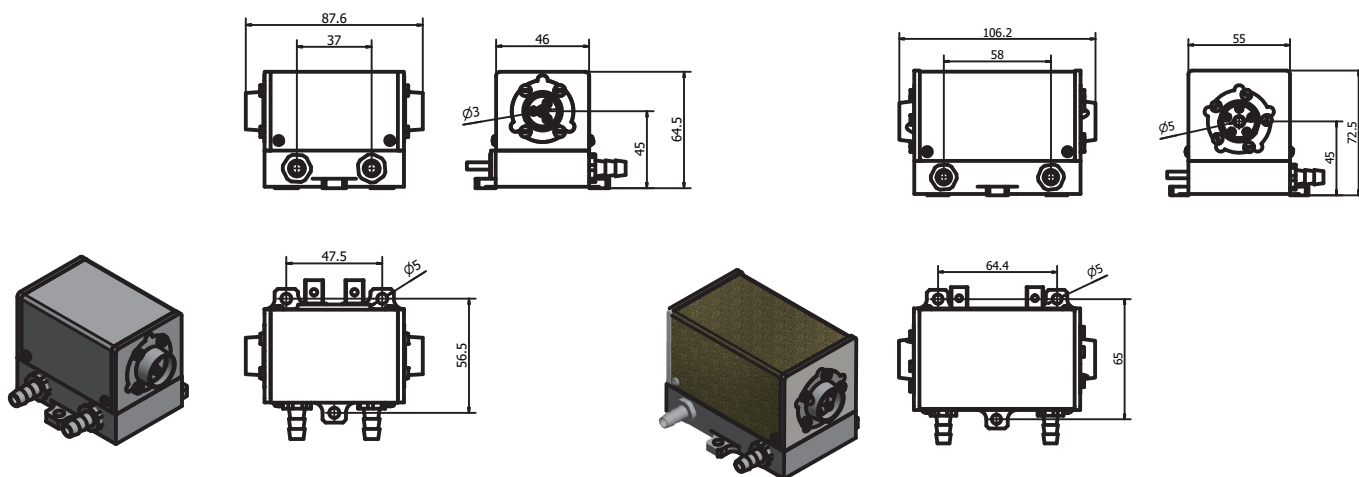
## Order Information

Wavelength (nm)	Part Number	Pump Peak Power (W)	Crystal Diameter (mm)	Bar Numbers	Working Mode
808	SPL808-Q3000-3x4-D3	3000	3	12	QCW
	SPL808-Q7500-5x6-D5	7500	5	30	QCW

## Part Numbering Schema



## Mechanical Drawings (in mm)



SPL808 -Q3000-3x4-D3

SPL808 -Q7500-5x6-D5

